

MN134C - MUSTANG NOZZLES MINI HOSE REEL

FEATURES



- Stainless steel fittings
- One year warranty
- Economically priced
- Replacement parts available
- Simple operation and maintenance
- Quality Assurance ISO9001

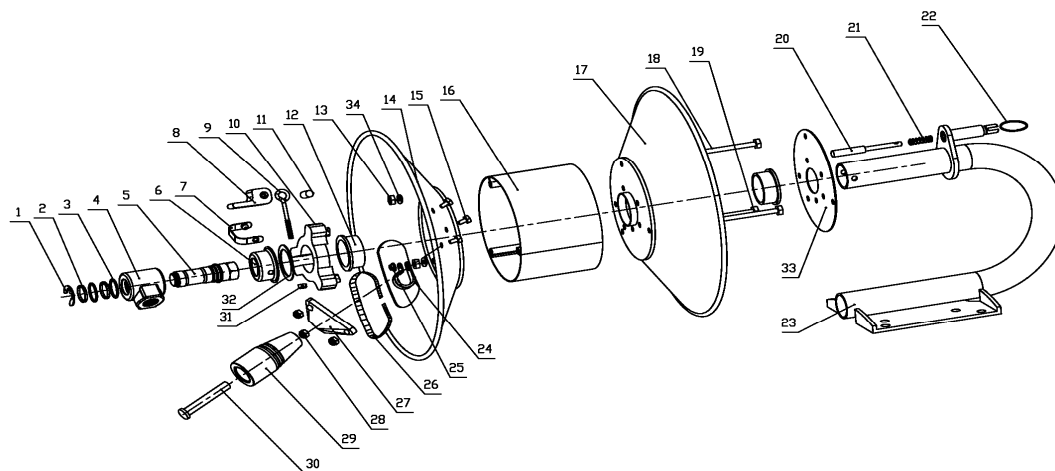
SPECIFICATIONS

Model Number:	MN134C
Hose Capacity:	80m of 3/16" Jetting Hose 60m of 1/4" Jetting Hose 30m of 3/8" Jetting Hose
Maximum Working Pressure:	6000 PSI

ORDERING INFORMATION

For all jetter parts and supplies, please contact your authorised Mustang Nozzles distributor or call 1300 538 846

ASSEMBLY DRAWING



Parts list

Part No.	Description	Qty	Part No.	Description	Qty	Part No.	Description	Qty
1	Circlip D=12	1	12	Spacer Sleeve	2	23	Base Assembly	1
2	Seal Ring 18.85*21.24*2.06	2	13	Nut M6	3	24	Pipe Hoop	1
3	Seal Ring 20.35*1.78	2	14	Flange A	1	25	Nut M6	1
4	Valve Body	1	15	Screw M6*12	3	26	Edge Protector	1
5	Spool	1	16	Sleeve	3	27	Handle Base	1
6	Cover	1	17	Flange B	1	28	Nut M6	3
7	Elastic Clamp	1	18	Screw M6*110	2	29	Handle	1
8	Locking Buckle	1	19	Screw M6*120	1	30	Handle Axle	1
9	Bolt	1	20	Locating Pin	1	31	Lock Nut M5	1
10	Locking Base	1	21	Compression Spring	1	32	Wave pad	1
11	Locking Pin	1	22	Ring	1	33	Reinforcing plate	1
						34	Washer	3